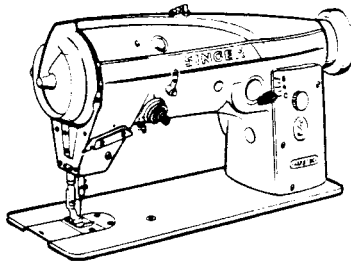


SINGER

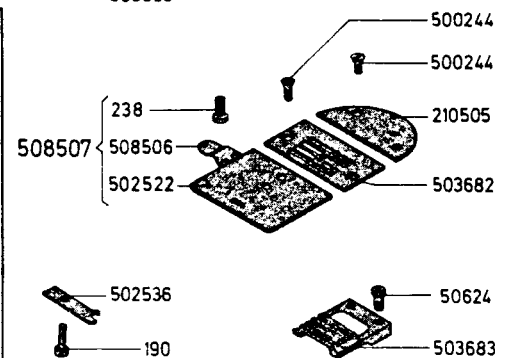
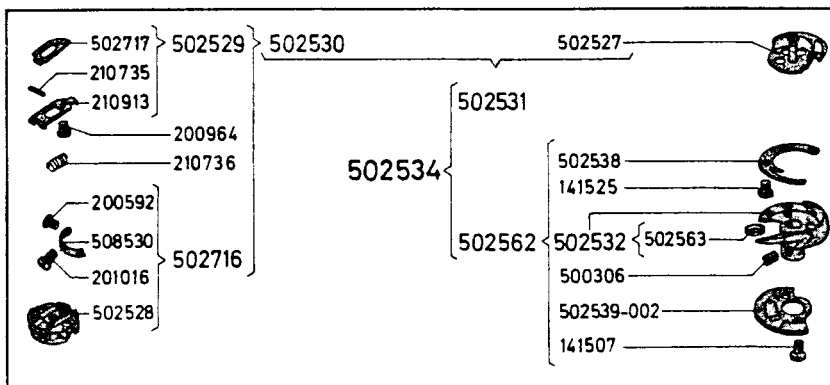
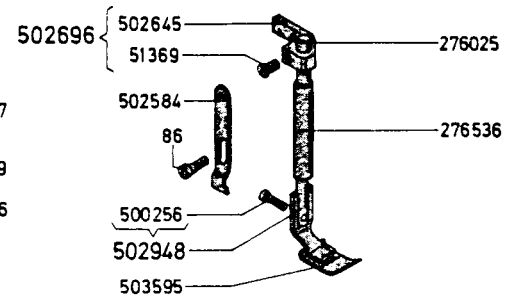
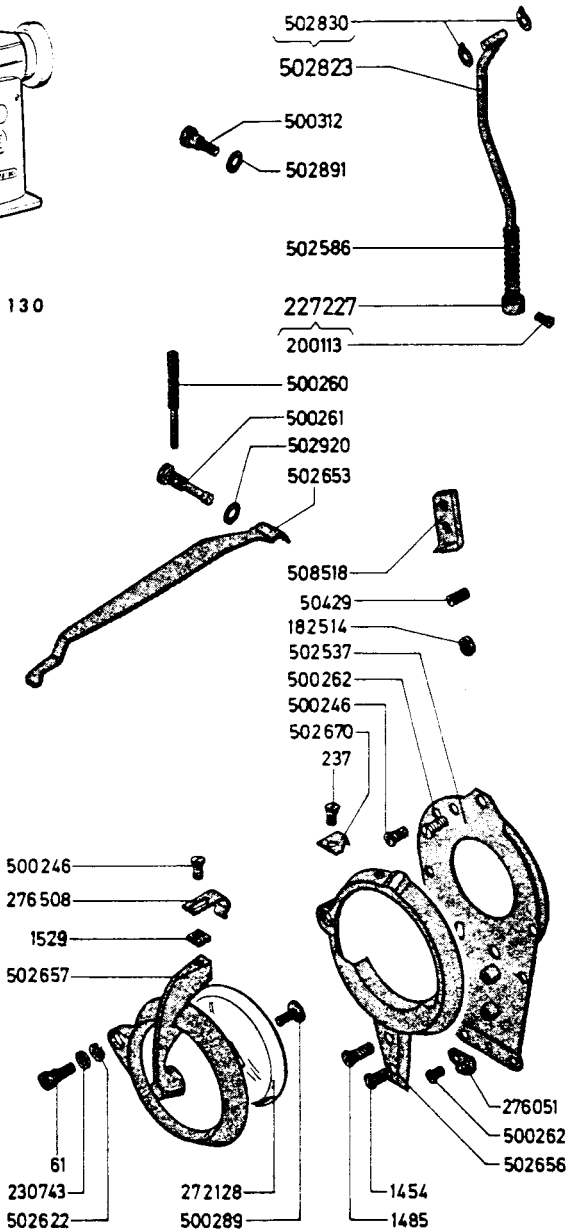
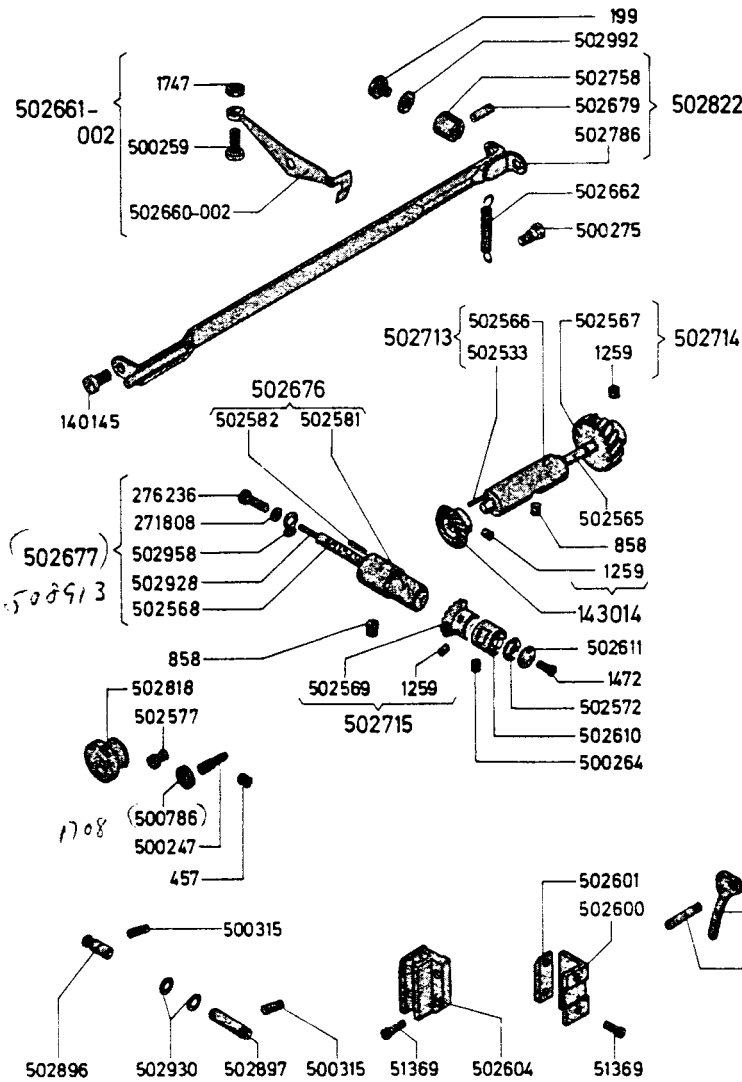
ILLUSTRATED
PARTS LIST
FORM - NO. 30-332 G
(368/930)

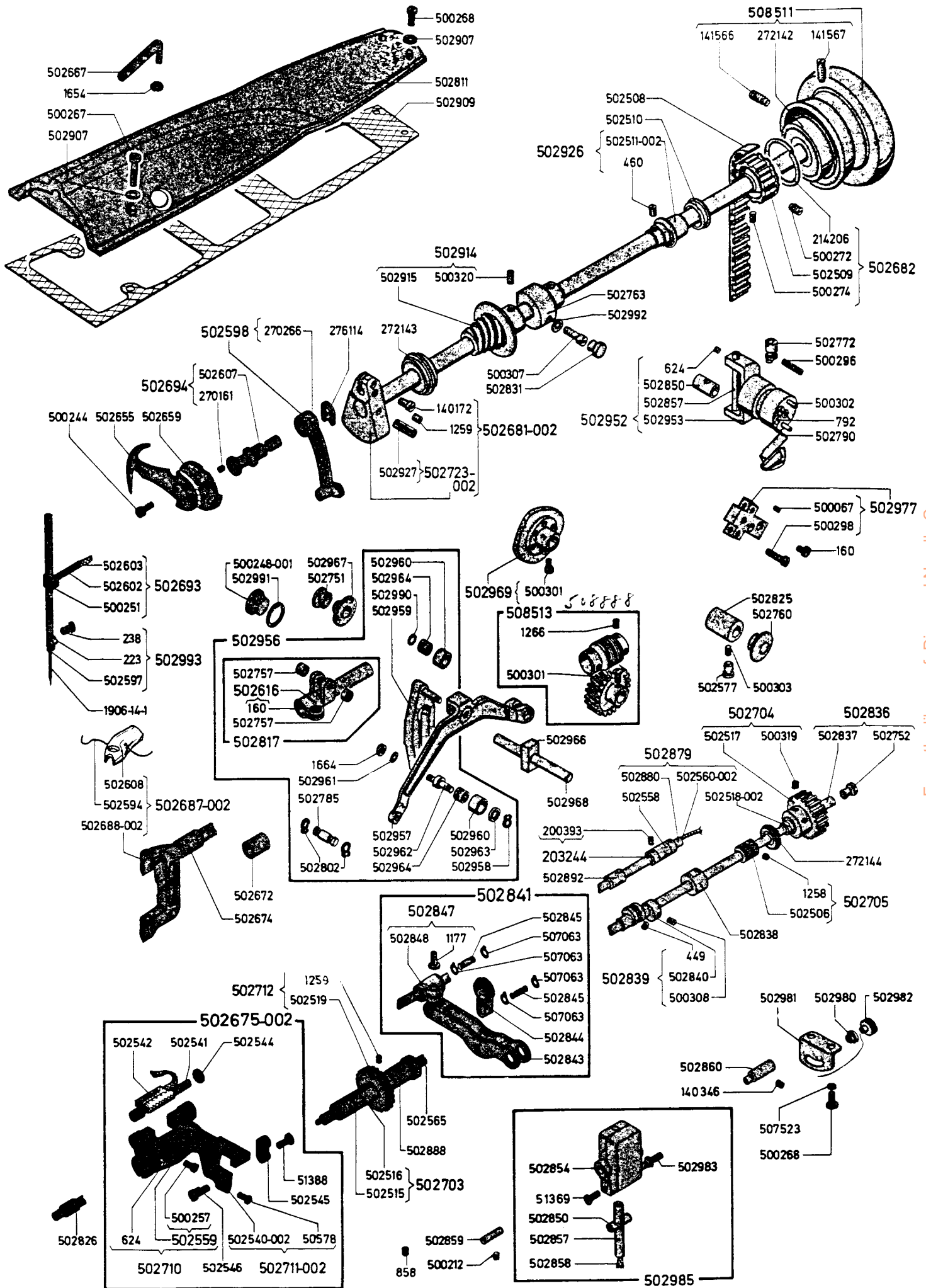
FOR MACHINES
457 G 130, 457 G 135,
457 G 155, 457 GX6



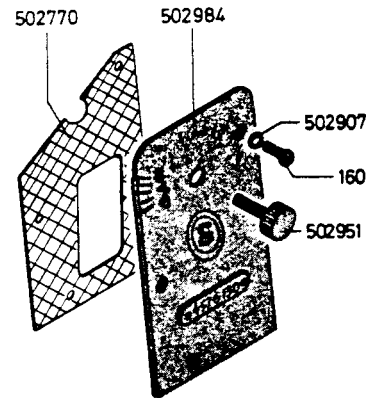
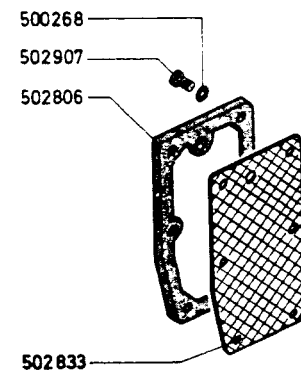
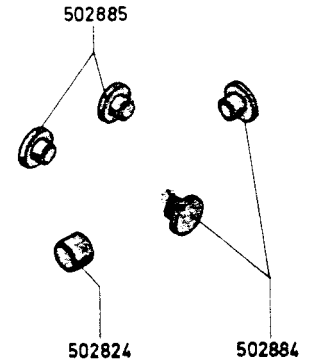
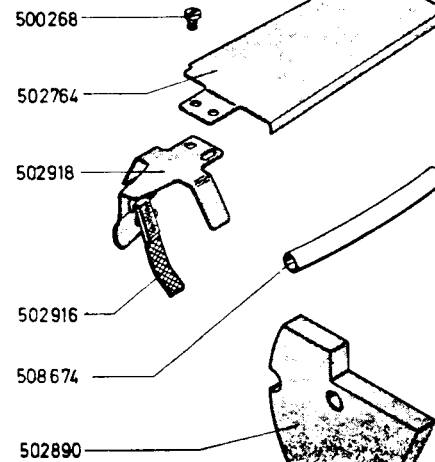
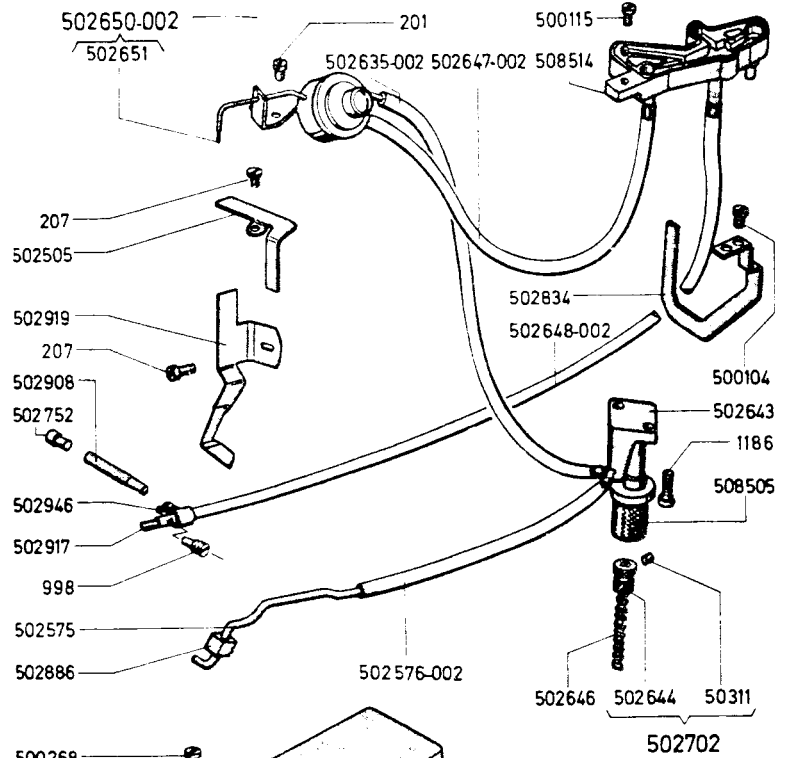
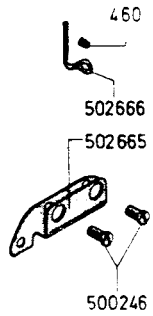
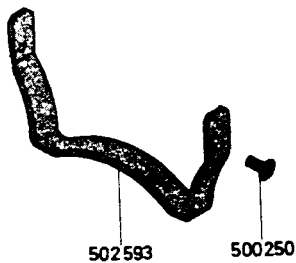
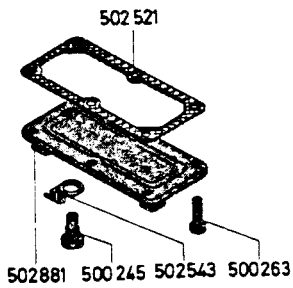
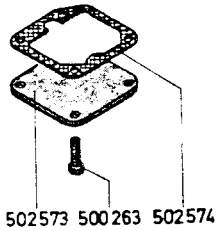
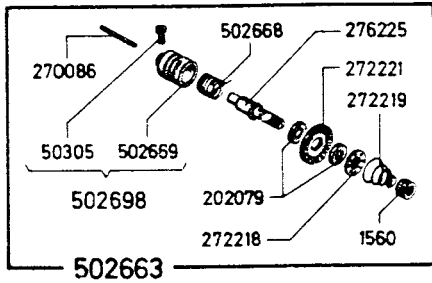
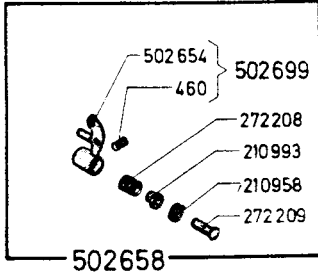
MACHINE 457 G 130

PARTS FOR MACHINES 457 G 130, 457 G 135,
457 G 155 AND 457 GX6 (SEE NUMERICAL
PARTS LIST ON REVERSE PAGE).





50429



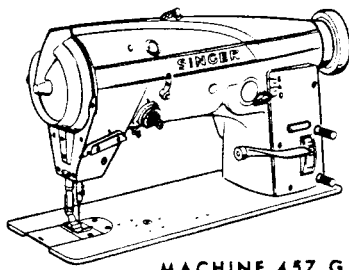
From the library of: Diamond Needle Corp

THE SINGER COMPANY

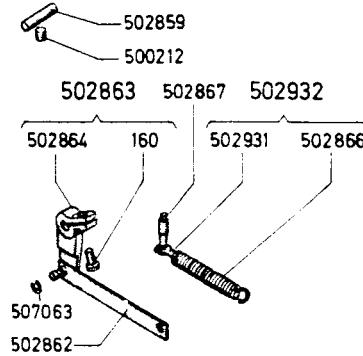
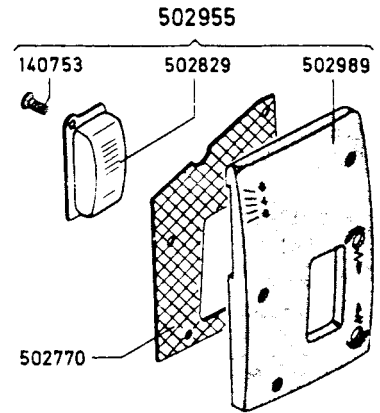
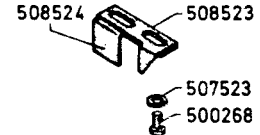
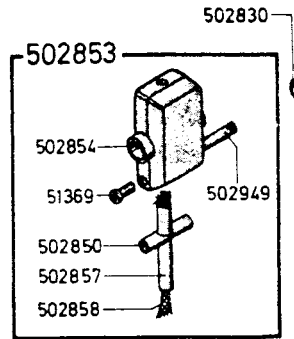
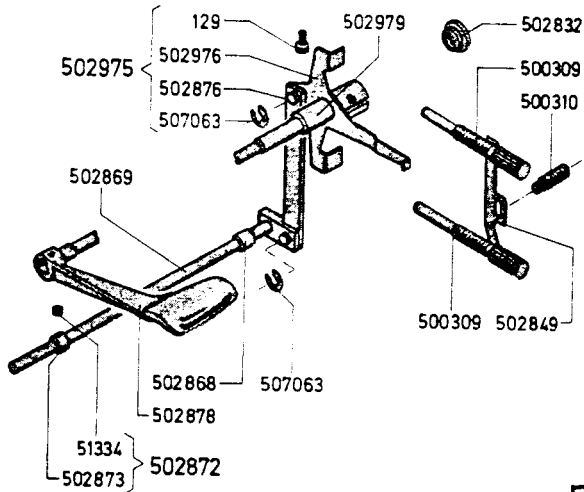
Copyright © 1968 by THE SINGER COMPANY

Printed in Western Germany

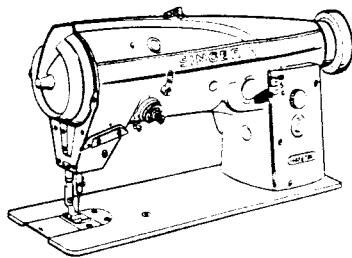
PARTS FOR MACHINE 457 G 135,
FOR PARTS NOT ILLUSTRATED AND/OR NOT
INDICATED BY REFERENCE NUMBERS,
REFER TO MACHINE 457 G 130.



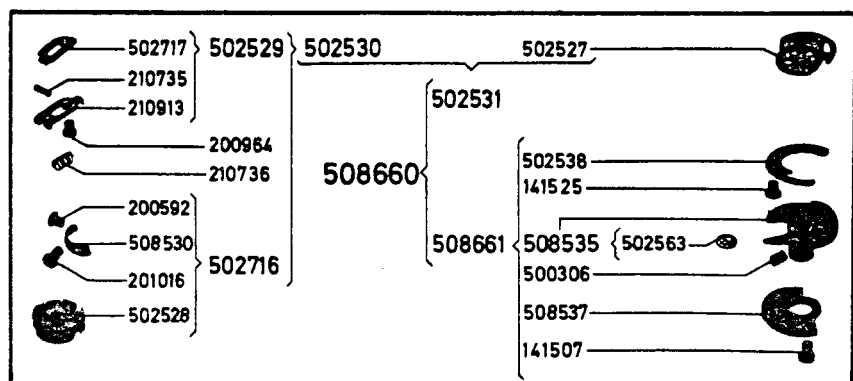
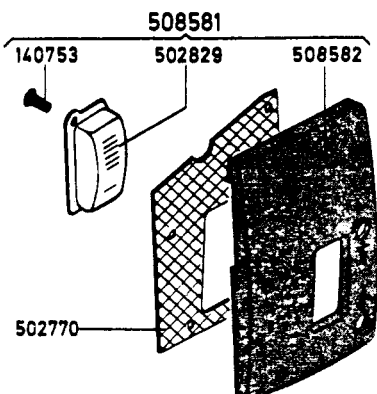
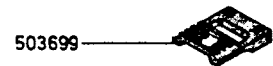
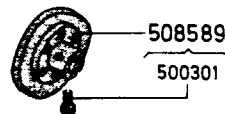
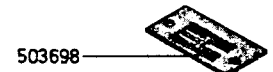
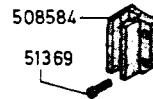
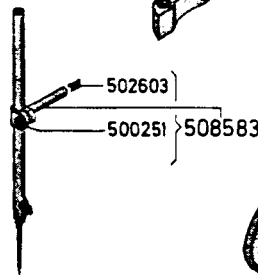
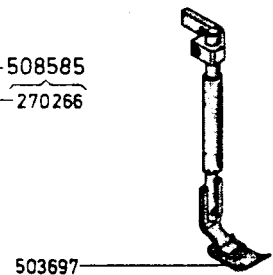
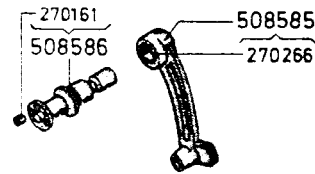
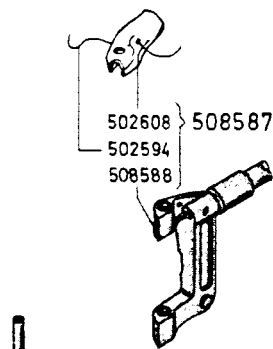
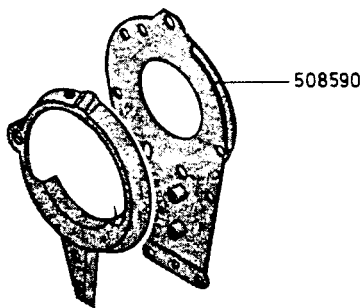
MACHINE 457 G 135

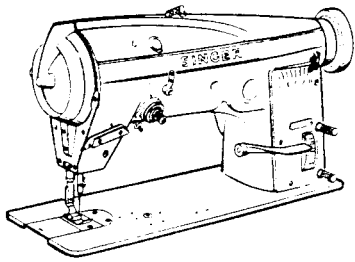


PARTS FOR MACHINE 457 GX6
FOR PARTS NOT ILLUSTRATED AND/OR NOT
INDICATED BY REFERENCE NUMBERS,
REFER TO MACHINE 457 G 130 AND 457 G 135.



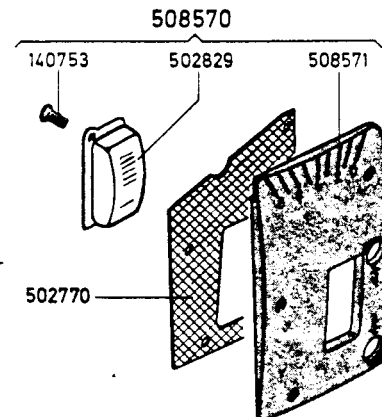
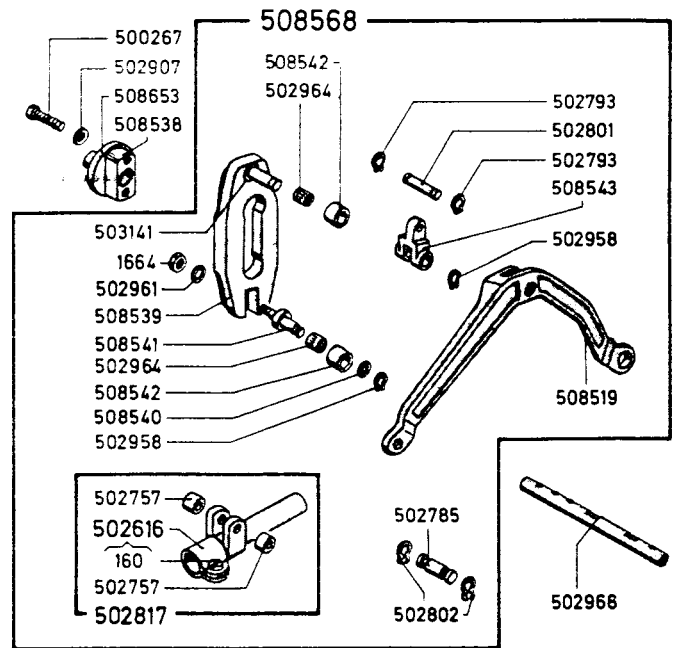
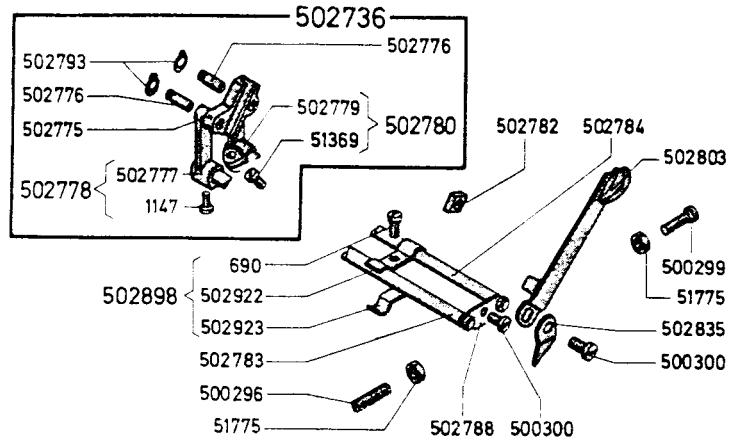
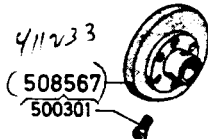
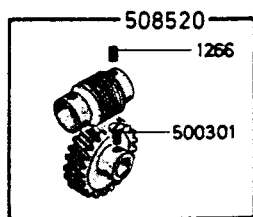
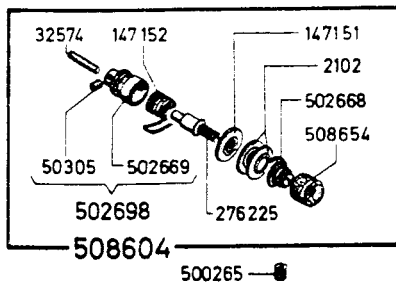
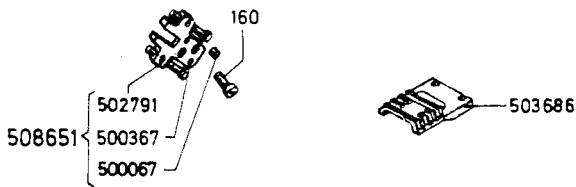
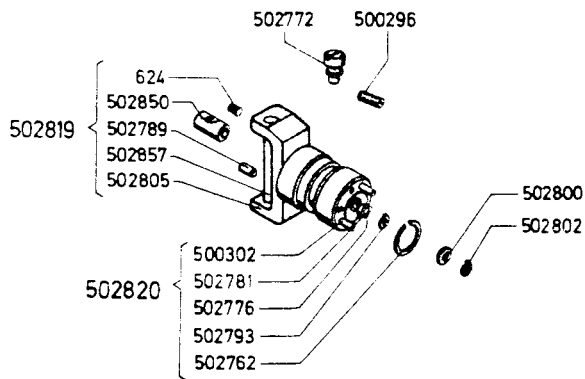
MACHINE 457 GX6

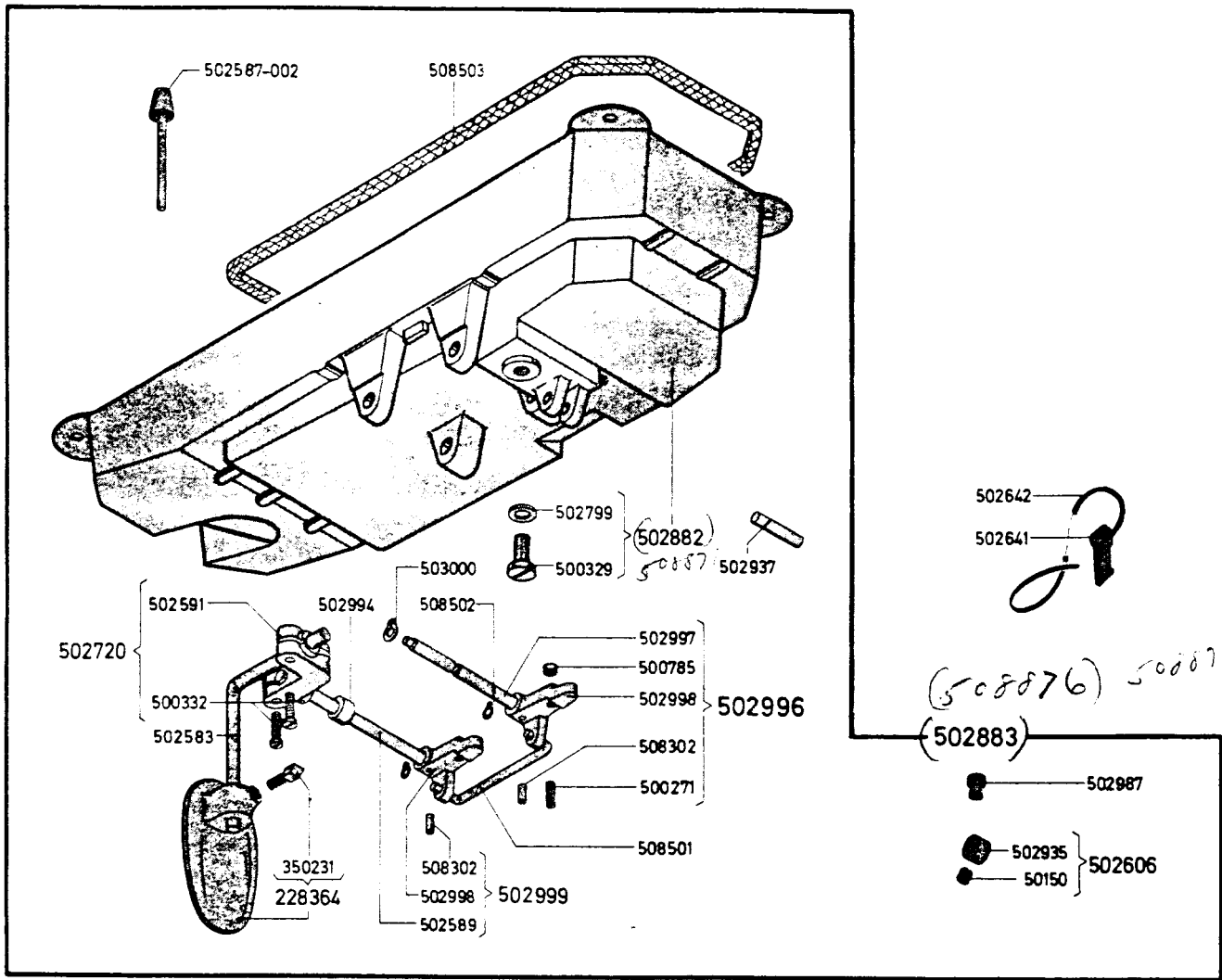




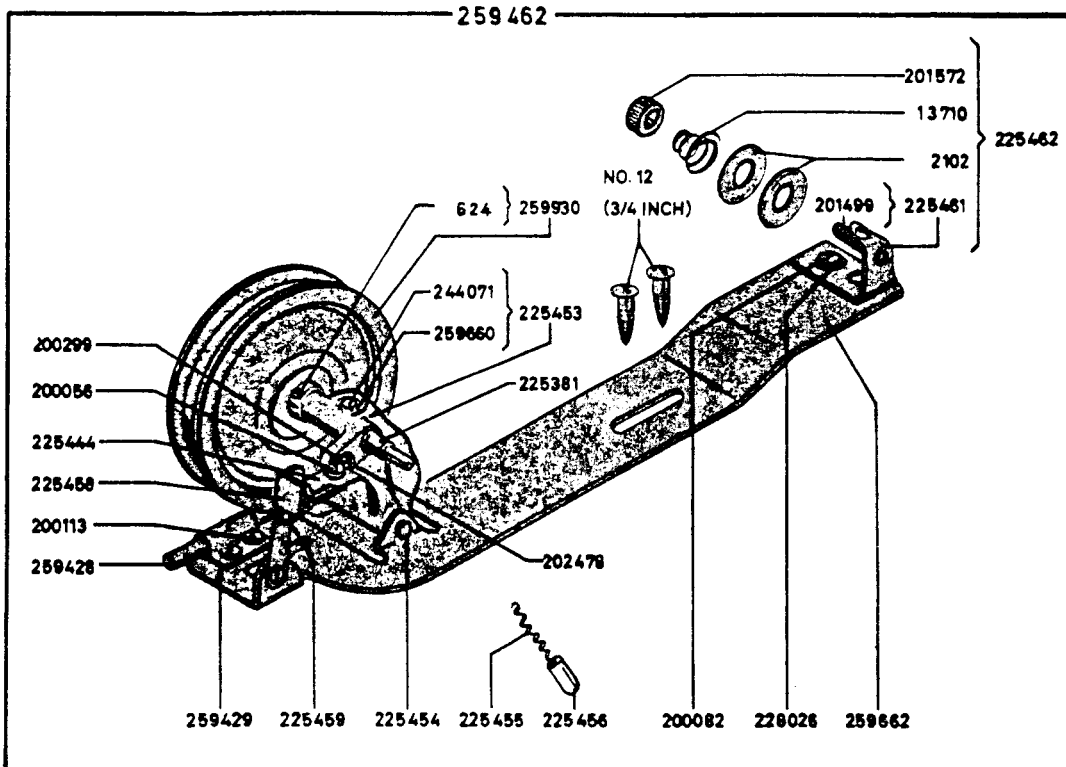
MACHINE 457 G 155

PARTS FOR MACHINE 457 G 155
 FOR PARTS NOT ILLUSTRATED AND/OR NOT
 INDICATED BY REFERENCE NUMBERS,
 REFER TO MACHINE 457 G 130 AND 457 G 135.





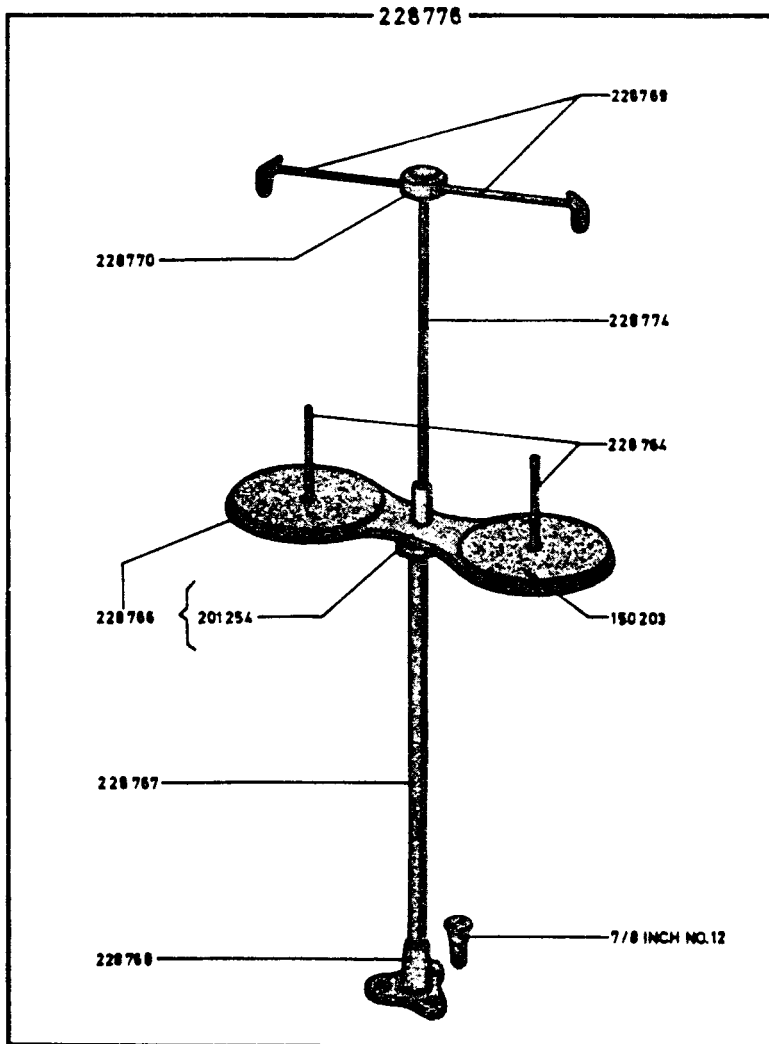
ACCESSORIES FOR MACHINES
457 G 130, 457 G 135, 457 G 155 AND 457 GX6



From the library of: Diamond Needle Corp.

ACCESSORIES FOR MACHINES

457 G 130, 457 G 135, 457 G 155 AND 457 GX6



120440



225498



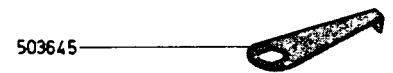
228476



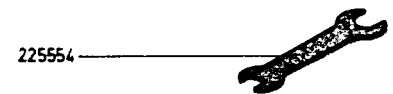
144465



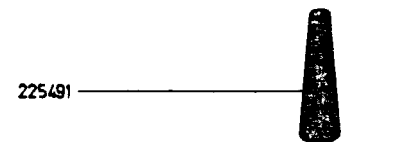
503669



503645



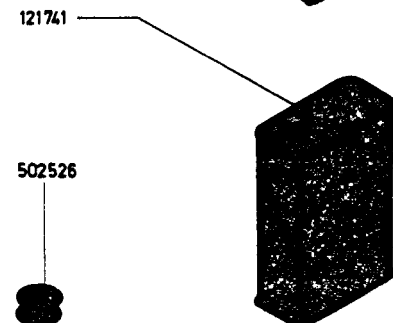
225554



225491



503673



121741

1906-12-1



1906-14-1



12361



176



231337



289



502526



FOR CLASS 457 G		DESCRIPTION	FOR CLASS 457 G		DESCRIPTION
PART NO.	130 135 155 GX6		PART NO.	130 135 155 GX6	
NO. 12	x x x x	BOBBIN WINDER WOOD SCREW (3/4 INCH) (2)	051775-850	- - x -	NEEDLE VIBRATING ADJUSTING LEVER STOP SCREW NUT (2)
NO. 12	x x x x	THREAD UNWINDER WOOD SCREW (7/8 INCH) (3)	120440	x x x x	SCREW DRIVER
000061-850	x x x x	ROTARY TAKE-UP GUARD HINGE SCREW	121741	x x x x	ONE QUART CAN FILLED WITH LIGHT GRADE OIL
000086-850	x x x x	KNEE LIFTER LIFTING LINK SCREW	140145-803	x x x x	KNEE LIFTER ROCK FRAME HINGE SCREW
000129-850	- x x x	FEED REGULATING SHAFT INDICATOR LEVER PINCH SCREW	140172-850	x x x x	NEEDLE BAR CRANK STUD PINCH SCREW
000160-850	x x x x	ARM COVER (FRONT) SCREW (3)	140346-833	x x x x	FEED DRIVING CONNECTION CARRIER FRAME BEARING STUD (RIGHT) SET SCREW
000160-850	x x x x	NEEDLE BAR YOKE CONNECTING LINK HINGE BEARING PINCH SCREW	140753-850	- x x x	STITCH LENGTH INDICATOR PLATE SCREW (2)
000160-850	x x - x	NEEDLE POSITION ADJUSTING CAM SLIDING BLOCK BRACKET SCREW (2)	141507-803	x x x x	HOOK NEEDLE GUARD AND COUNTERBALANCE SCREW
000160-850	- x x x	FEED REGULATING CONNECTION SHAFT CRANK PINCH SCREW	141525-806	x x x x	HOOK GIB SCREW (3)
000160-850	- - x -	NEEDLE POSITION ADJUSTING ECCENTRIC SLIDE BLOCK BRACKET SCREW (2)	141566-833	x x x x	MACHINE PULLEY POSITION SCREW
000176-850	x x x x	ATTACHMENT SCREW	141567-833	x x x x	MACHINE PULLEY SET SCREW
000190-850	x x x x	BOBBIN CASE STOP SCREW	143014	x x x x	HOOK DRIVING SHAFT BEVEL GEAR WITH TWO 1259
000199-850	x x x x	KNEE LIFTER ROCK FRAME HINGE STUD LOCK SCREW	144465	x x x x	WRENCH (1/8 INCH HEXAGON)
000201-850	x x x x	OIL SIGHT BODY SCREW (2)	147151	- - x -	TENSION RELEASING DISC
000207-803	x x x x	ARM HEAD OIL DRAIN WICK CLAMP SCREW (2)	147152	- - x -	TENSION SPRING
000223-850	x x x x	NEEDLE SET SCREW	150203	x x x x	THREAD UNWINDER SPOOL REST CUSHION (FELT) (2)
000237-833	x x x x	THREAD CUTTER (ON ROTARY TAKE-UP GUARD) SCREW	182514-819	x x x x	THREAD CUTTER (ON FACE PLATE) ADJUSTING SCREW NUT
000238-850	x x x x	NEEDLE BAR THREAD GUIDE SET SCREW	200056-805	x x x x	BOBBIN WINDER STOP LATCH SCREW
000238-850	x x x x	BED SLIDE SPRING SCREW (2)	200082-804	x x x x	BOBBIN WINDER TENSION BRACKET SCREW
000289-850	x x x x	CLOTH GUIDE THUMB SCREW	200113-806	x x x x	BOBBIN WINDER BRAKE CLAMP SCREW
000449-830	x x x x	FEED DRIVING ECCENTRIC SET SCREW	200115-850	x x x x	KNEE LIFTER LIFTING ROD COLLAR SET SCREW
000457-830	x x x x	HOOK OIL BYPASS PLUG SCREW	200299-819	x x x x	BOBBIN WINDER STOP LATCH TRIP HINGE SCREW
000460-833	x x x x	ARM SHAFT OIL SLINGER AND PINION SET SCREW	200393-833	x x x x	FEED DRIVING ROCK SHAFT COLLAR SET SCREW (4)
000460-833	x x x x	PRETENSION BRACKET SCREW	200592-803	x x x x	BOBBIN CASE CAP TENSION SPRING SCREW
000460-833	x x x x	THREAD PULL OFF SET SCREW	200964-802	x x x x	BOBBIN CASE LATCH STOP SCREW
000624-833	x x - x	NEEDLE BAR YOKE CONNECTING LINK CARRIER FRAME SLIDE STUD SET SCREW (2)	201016-803	x x x x	BOBBIN CASE CAP TENSION SPRING REGULATING SCREW
000624-833	x x x x	FEED BAR HINGE PIN SET SCREW (2)	201254-803	x x x x	THREAD UNWINDER SPOOL REST SET SCREW
000624-833	x x x x	BOBBIN WINDER PULLEY SET SCREW	201499-819	x x x x	BOBBIN WINDER TENSION STUD
000690-850	- - x -	NEEDLE VIBRATING ADJUSTING SHAFT CLAMPING BRACKET PINCH SCREW	201572-819	x x x x	BOBBIN WINDER TENSION STUD THUMB NUT
000792-850	x x - x	NEEDLE POSITION ADJUSTING LEVER SCREW (2)	202079	x - - x	TENSION FELT WASHER (2)
000858-833	x x x x	BED SHAFT BUSHING (FRONT, CENTER, BACK) SET SCREW (3)	202476	x x x x	BOBBIN WINDER STOP LATCH TRIP LEVER
000858-833	x x x x	HOOK DRIVING SHAFT BUSHING SET SCREW	202244	x x x x	FEED DRIVING ROCK SHAFT COLLAR (2) WITH TWO EACH 200393
000858-833	x x x x	HOOK SHAFT PRESSURE BUSHING SET SCREW	210505	x x x x	BED PLATE (BACK)
000998-833	x x x x	OIL RETURN TUBE SCREW	210735	x x x x	BOBBIN CASE LATCH FULCRUM PIN
001147-850	- - x -	NEEDLE VIBRATING ADJUSTING GUIDE CRANK SET SCREW	210736	x x x x	BOBBIN CASE LATCH SPRING
001177-850	x x x x	FEED DRIVING CONNECTION CRANK PINCH SCREW	210913	x x x x	BOBBIN CASE LATCH
001186-850	x x x x	OIL PUMP MOUNTING SCREW (2)	210958	x x x x	PRETENSION BRACKET COLLAR
001258-830	x x x x	OIL PUMP DRIVING GEAR SET SCREW (2)	210993	x x x x	PRETENSION BRACKET SLEEVE
001259-830	x x x x	NEEDLE BAR CRANK STUD POSITION SCREW	214206	x x x x	ARM SHAFT CONNECTION BELT PULLEY SPRING FLANGE
001259-830	x x x x	BED SHAFT GEAR SET SCREW (2)	225381	x x x x	BOBBIN WINDER SPINDLE
001259-830	x x x x	HOOK DRIVING SHAFT HELICAL GEAR SET SCREW (2)	225444	x x x x	BOBBIN WINDER STOP LATCH
001259-830	x x x x	HOOK DRIVING SHAFT BEVEL GEAR SET SCREW (2)	225453	x x x x	BOBBIN WINDER FRAME WITH 244071 AND 259660
001259-830	x x x x	HOOK SHAFT BEVEL GEAR SET SCREW (2)	225454	x x x x	BOBBIN WINDER FRAME HINGE PIN
001266-830	x x x x	NEEDLE VIBRATING WORM WHEEL SET SCREW (4)	225455	x x x x	BOBBIN WINDER FRAME SPRING
001349-850	x x x x	PRESSER BAR LIFTER HINGE SCREW	225456	x x x x	BOBBIN WINDER FRAME SPRING PLUNGER
001454-850	x x x x	ROTARY TAKE-UP GUARD SCREW (SHORT)	225458	x x x x	BOBBIN WINDER STOP LATCH THUMB LEVER
001472-850	x x x x	HOOK SHAFT BUSHING (FRONT) SET SCREW (2)	225459	x x x x	BOBBIN WINDER STOP LATCH THUMB LEVER HINGE AND JOINT STUD (2)
001485-850	x x x x	ROTARY TAKE-UP GUARD SCREW (LONG)	225461	x x x x	BOBBIN WINDER TENSION BRACKET WITH 201499
001529-850	x x x x	SPRING CATCH SCREW NUT	225462	x x x x	BOBBIN WINDER TENSION BRACKET WITH 13710, 201572, 225461 AND TWO 2102
001560-850	x x - x	TENSION THUMB NUT	225491	x x x x	MACHINE REST PIN (WOOD)
001654-850	x x x x	THREAD RETAINER LOCK NUT	225498	x x x x	SCREW DRIVER
001664-850	x x x x	NEEDLE VIBRATING CAM ROLLER STUD NUT	225554	x x x x	WRENCH
001747-850	x x x x	TENSION RELEASER ADJUSTING SCREW LOCK NUT	227227	x x x x	KNEE LIFTER LIFTING ROD COLLAR WITH 200113
1906-12-1	x x x x	NEEDLE (3)	228026	x x x x	BOBBIN WINDER TENSION BRACKET SCREW WASHER
1906-14-1	x x x x	NEEDLE (1-2)	228364	x x x x	KNEE LIFTER KNEE PLATE WITH 350251
002102	- - x -	TENSION DISC (2)	228476	x x x x	SCREW DRIVER (BOBBIN CASE)
002102	x x x x	BOBBIN WINDER TENSION DISC (2)	228764	x x x x	THREAD UNWINDER SPOOL PIN (2)
012361	x x x x	MACHINE HINGE CONNECTION (2)	228766	x x x x	THREAD UNWINDER SPOOL REST WITH 201254
013710	x x x x	BOBBIN WINDER TENSION SPRING	228767	x x x x	THREAD UNWINDER SPOOL REST ROD
032574	- - x -	TENSION RELEASING PIN	228768	x x x x	THREAD UNWINDER SPOOL STAND
050150-833	x x x x	FEED REVERSING FOOT CONTROL LEVER PIN COLLAR SET SCREW	228769	x x x x	THREAD UNWINDER THREAD GUIDE (2)
050305-850	x x x x	TENSION STUD SET SCREW	228770	x x x x	THREAD UNWINDER THREAD GUIDE HOLDER
050311-830	x x x x	OIL PUMP GEAR SET SCREW (2)	228774	x x x x	THREAD UNWINDER THREAD GUIDE ROD
050429-833	x x x x	PRETENSION BRACKET SCREW	228776	x x x x	THREAD UNWINDER CPL. (FOR TWO SPOOLS) 228766, 228767, 228768, 228770, 228774, TWO EACH 150203, 228764, 228769 AND THREE WOOD SCREWS NO. 12 (7/8 INCH)
050429-833	x x x x	THREAD CUTTER (ON FACE PLATE) ADJUSTING SCREW	230743	x x x x	HINGE SCREW THRUST WASHER
050578-850	x x x x	FEED BAR LIFTING LINK HINGE PIN PINCH SCREW	231337	x x x x	CLOTH GUIDE
050624-830	x x x x	FEED DOG SCREW (2)	244071	x x x x	BOBBIN WINDER FRAME OIL PACKING (WICK)
051334-830	- x x x	FEED REGULATING CONNECTION SHAFT COLLAR SET SCREW (2)	259428	x x x x	BOBBIN WINDER BRAKE (LEATHER)
051369-850	- - x -	NEEDLE VIBRATING ADJUSTING CRANK PINCH SCREW	259429	x x x x	BOBBIN WINDER BRAKE CLAMP
051369-850	x x x x	NEEDLE BAR CONNECTING STUD GUIDE BLOCK SCREW (2)	259462	x x x x	UNIVERSAL BOBBIN WINDER CPL. 200056, 200082, 200113, 200299, 202478, 225381, 225444, 225453 TO 225456, 225458, 225462, 228026, 259428, 259429, 259662, 259930, TWO EACH 225459 AND WOOD SCREW NO. 12 (3/4 INCH)
051369-850	x x x x	NEEDLE BAR CONNECTING LINK CLAMPING PLATE SCREW (2)	259660	x x x x	BOBBIN WINDER FRAME OIL WELL WASHER
051369-850	x x x x	PRESSER BAR POSITION GUIDE PINCH SCREW	259662	x x x x	BOBBIN WINDER AND TENSION BRACKET BASE
051369-850	x x x x	FEED DRIVING CONNECTION CARRIER FRAME SLIDE STUD SET SCREW	259930	x x x x	BOBBIN WINDER PULLEY WITH 624
051388-850	x x x x	FEED BAR LIFTING LINK HINGE PIN CAP SCREW	270086	x x - x	TENSION RELEASING PIN
			270161	x x x x	NEEDLE BAR CRANK STUD PIN
			270266	x x x x	NEEDLE BAR CONNECTING LINK NEEDLE BEARING
			271808	x x x x	HOOK SHAFT OIL FILTER WICK HOLDER SEAL
			272128	x x x x	ROTARY TAKE-UP GUARD COVER WINDOW

FOR CLASS 457 G 130 135 155 GX6		DESCRIPTION	FOR CLASS 457 G 130 135 155 GX6		DESCRIPTION
PART NO.			PART NO.		
272142	x x x x	MACHINE PULLEY BALL BEARING	500329-850	x x x x	MACHINE BASE AND OIL RESERVOIR PLUG SCREW
272143	x x x x	ARM SHAFT BALL BEARING	500332-850	x x x x	KNEE LIFTER ROCK SHAFT HUB PINCH SCREW (2)
272144	x x x x	BED SHAFT BALL BEARING	500367-850	- - x -	NEEDLE POSITION ADJUSTING ECCENTRIC STOP SCREW (2)
272208	x x x x	PRETENSION BRACKET SPRING	500785-850	x x x x	KNEE LIFTER CONTROL SHAFT CRANK STOP SCREW NUT
272209	x x x x	TENSION BRACKET STUD	500786-850	x x x x	HOOK OIL BYPASS PLUG SCREW NUT
272218	x x - x	TENSION RELEASE DISC	502505	x x x x	ARM HEAD OIL DRAIN WICK CLAMP (FRONT)
272219	x x - x	TENSION SPRING	502506	x x x x	OIL PUMP DRIVING GEAR
272221	x x - x	TENSION WHEEL	502508	x x x x	ARM SHAFT CONNECTION BELT
276025	x x x x	PRESSER BAR BALL	502509	x x x x	ARM SHAFT CONNECTION BELT PULLEY
276027	x x x x	PRESSER BAR LIFTER	502510	x x x x	ARM SHAFT OIL SHIELD
276051	x x x x	THREAD GUIDE (ON FACE PLATE)	502511-002	x x x x	ARM SHAFT OIL SLINGER AND PINION SPACER
276114	x x x x	NEEDLE BAR CONNECTING LINK THRUST WASHER	502515	x x x x	BED SHAFT BUSHING (FRONT)
276225	x x x x	TENSION STUD	502516	x x x x	BED SHAFT BUSHING OIL WICK
276236	x x x x	HOOK SHAFT OIL FILTER WICK HOLDER	502517	x x x x	BED CONNECTION BELT PULLEY
276508	x x x x	ROTARY TAKE-UP GUARD SPRING CATCH	502518-002	x x x x	BED CONNECTION BELT PULLEY SPACER
276536	x x x x	PRESSER BAR BUSHING	502519	x x x x	BED SHAFT GEAR
350231-850	x x x x	KNEE LIFTER KNEE PLATE SET SCREW	502521	x x x x	BED SHAFT GEAR BOX COVER GASKET
500067-830	x x - x	NEEDLE POSITION ADJUSTING CAM STOP SCREW SET SCREW (2)	502522	x x x x	BED SLIDE
500067-830	- - x -	NEEDLE POSITION ADJUSTING ECCENTRIC STOP SCREW SET SCREW (2)	502526	x x x x	BOBBIN (1) (2)
500104-850	x x x x	ARM OIL SHIELD (AERATED PLASTIC) RETAINER SCREW (2)	502527	x x x x	BOBBIN CASE BASE
500115-850	x x x x	OIL DISTRIBUTOR PLATE SCREW	502528	x x x x	BOBBIN CASE CAP
500212-833	x x x x	FEED DRIVING CONNECTION CARRIER FRAME BEARING STUD (LEFT) SET SCREW	502529	x x x x	BOBBIN CASE LATCH CPL. 210735, 210913 AND 502717
500244-850	x x x x	ROTARY TAKE-UP SCREW (2)	502530	x x x x	BOBBIN CASE CAP CPL. 200964, 210736, 502529 AND 502716
500244-850	x x x x	BED PLATE SCREW (BACK) (2)	502531	x x x x	BOBBIN CASE CPL. 502527 AND 502530
500244-850	x x x x	THROAT PLATE SCREW (2)	502532	x x x -	HOOK BODY WITH 502563
500245-805	x x x x	BED SHAFT GEAR BOX OVERFLOW AND DRAIN PLUG SCREW	502533	x x x x	HOOK DRIVING SHAFT BUSHING OIL WICK
500246-850	x x x x	THREAD GUIDE SCREW (2)	502534	x x x -	HOOK AND BOBBIN CASE CPL. 502531 AND 502562
500246-850	x x x x	FACE PLATE SCREW (8)	502536	x x x x	BOBBIN CASE STOP
500246-850	x x x x	ROTARY TAKE-UP GUARD SPRING CATCH SCREW	502537	x x x -	FACE PLATE
500247-833	x x x x	HOOK OIL REGULATING SCREW	502538	x x x x	HOOK GIB
500248-001	x x x x	ARM PLUG SCREW	502539-002	x x x -	HOOK NEEDLE GUARD COUNTERBALANCE
500250-850	x x x x	MACHINE LEG SCREW (2)	502540-002	x x x x	FEED BAR
500251-850	x x x x	NEEDLE BAR CONNECTING STUD PINCH SCREW	502541	x x x x	FEED BAR HINGE PIN
500256-850	x x x x	PRESSER FOOT SCREW	502542	x x x x	FEED BAR HINGE PIN OILING FELT
500257-850	x x x x	FEED DRIVING ROCK SHAFT CRANK PINCH SCREW	502544	x x x x	FEED BAR HINGE PIN THRUST WASHER (2)
500259-803	x x x x	TENSION RELEASE ADJUSTING SCREW	502545	x x x x	FEED BAR LIFTING LINK
500260-830	x x x x	PRESSER BAR SPRING SCREW	502546	x x x x	FEED BAR LIFTING LINK HINGE PIN
500261-850	x x x x	PRESSER BAR SPRING SCREW STUD	502558	x x x x	FEED DRIVING ROCK SHAFT BUSHING (BACK)
500262-833	x x x x	THREAD GUIDE (ON FACE PLATE) SCREW	502559	x x x x	FEED DRIVING ROCK SHAFT CRANK WITH 500257
500262-833	x x x x	THREAD CUTTER (ON FACE PLATE) SCREW	502560-002	x x x x	FEED DRIVING ROCK SHAFT OIL WICK
500263-850	x x x x	HOOK SHAFT GEAR BOX COVER SCREW (4)	502562	x x x -	HOOK CPL. 141507, 502532, 502538, 502539-002, TWO 500306 AND THREE 141525
500263-850	x x x x	BED SHAFT GEAR BOX COVER SCREW (6)	502563	x x x x	HOOK OIL RETAINING WASHER
500264-830	x x x x	HOOK SHAFT BUSHING FRONT SET SCREW	502565	x x x x	HOOK DRIVING SHAFT
500265-833	x x x x	THREAD REGULATOR SET SCREW	502566	x x x x	HOOK DRIVING SHAFT BUSHING
500267-850	x x x x	ARM COVER (TOP) SCREW (LONG) (2)	502567	x x x x	HOOK DRIVING SHAFT HELICAL GEAR
500267-850	- - x -	NEEDLE VIBRATING CAM SHAFT BUSHING (BACK) SCREW (2)	502568	x x x x	HOOK SHAFT
500268-850	x x x x	ARM COVER (BACK) SCREW (6)	502569	x x x x	HOOK SHAFT BEVEL GEAR
500268-850	x x x x	ARM COVER (TOP) SCREW (SHORT) (2)	502572	x x x x	HOOK SHAFT BUSHING CAP GASKET
500268-850	x x x x	OIL GUARD SCREW (2)	502573	x x x x	HOOK SHAFT GEAR BOX COVER
500268-850	x x x x	FEED DRIVING CONNECTION CARRIER FRAME STOP SCREW (2)	502574	x x x x	HOOK SHAFT GEAR BOX COVER GASKET
500271-833	x x x x	KNEE LIFTER CONTROL SHAFT CRANK STOP SCREW	502575	x x x x	HOOK SHAFT GEAR BOX OIL PIPE
500272-830	x x x x	ARM SHAFT CONNECTION BELT PULLEY SET SCREW	502576-002	x x x x	HOOK SHAFT GEAR BOX OIL PIPE
500274-830	x x x x	ARM SHAFT CONNECTION BELT PULLEY POSITION SCREW	502577	x x x x	NEEDLE VIBRATING CAM SHAFT BUSHING (FRONT) SET SCREW PLUG
500275-850	x x x x	TENSION RELEASE HINGE SCREW	502577	x x x x	HOOK SHAFT GEAR BOX PLUG
500287-850	x x x x	ROTARY TAKE-UP GUARD COVER WINDOW SCREW	502581	x x x x	HOOK SHAFT PRESSURE BUSHING
500296-833	x x x x	NEEDLE POSITION ADJUSTING CAM REGULATING STUD SET SCREW	502582	x x x x	HOOK SHAFT PRESSURE BUSHING OIL WICK
500296-833	- - x -	NEEDLE VIBRATING ADJUSTING LEVER STOP SCREW (LEFT)	502583	x x x x	KNEE LIFTER KNEE PLATE ARM
500298-850	x x - x	NEEDLE POSITION ADJUSTING CAM STOP SCREW (2)	502584	x x x x	KNEE LIFTER LIFTING LINK
500299-850	- - x -	NEEDLE VIBRATING ADJUSTING LEVER STOP SCREW (RIGHT)	502586	x x x x	KNEE LIFTER LIFTING ROD SPRING
500300-850	- - x -	NEEDLE VIBRATING ADJUSTING SHAFT RETAINER SCREW	502587-002	x x x x	KNEE LIFTER PLUNGER
500300-850	- - x -	NEEDLE VIBRATING ADJUSTING LEVER SCREW	502589	x x x x	KNEE LIFTER ROCK SHAFT
500301-850	x x x x	NEEDLE VIBRATING CAM SCREW (2)	502591	x x x x	KNEE LIFTER ROCK SHAFT HUB
500301-850	x x x x	NEEDLE VIBRATING WORM GEAR SCREW (2)	502593	x x x x	MACHINE LEG (REAR)
500302-803	x x - x	NEEDLE BAR YOKE CONNECTING LINK CARRIER FRAME BUSHING SET SCREW (2)	502594	x x x x	NEEDLE BAR OIL FELT CORD
500302-803	- - x -	NEEDLE POSITION ADJUSTING ECCENTRIC STOP SCREW (2)	502597	x x x x	NEEDLE BAR THREAD GUIDE
500303-830	x x x x	NEEDLE VIBRATING CAM SHAFT BUSHING (FRONT) SET SCREW	502598	x x x -	NEEDLE BAR CONNECTING LINK WITH 270266
500306-830	x x x x	HOOK SET SCREW (2)	502600	x x x x	NEEDLE BAR CONNECTING LINK GUIDE BLOCK
500307-850	x x x x	ARM SHAFT BUSHING (CENTER) SCREW	502601	x x x x	NEEDLE BAR CONNECTING LINK CLAMP PLATE
500308-830	x x x x	FEED DRIVING ECCENTRIC POSITION SCREW	502602	x x x -	NEEDLE BAR CONNECTING STUD
500309-850	- x x x	FEED REGULATING SHAFT INDICATOR STOP SCREW (2)	502603	x x x x	NEEDLE BAR CONNECTING STUD OIL WICK
500310-833	- x x x	FEED REGULATING SHAFT INDICATOR STOP SCREW RETAINING SPRING SCREW	502604	x x x -	NEEDLE BAR CONNECTING STUD GUIDE BLOCK
500312-850	x x x x	SINGER LIGHT STUD HOLE SCREW PLUG (FOR UN-USED HOLE)	502606	x x x x	FEED REVERSING FOOT CONTROL LEVER PIN COLLAR 502935 WITH 50150
500315-830	x x x x	NEEDLE BAR YOKE GUIDE SET SCREW (2)	502607	x x x -	NEEDLE BAR CRANK STUD
500319-830	x x x x	BED CONNECTION BELT PULLEY SET SCREW (2)	502608	x x x x	NEEDLE BAR OIL FELT
500320-830	x x x x	ARM HEAD OIL DRAIN WICK SLINGER SET SCREW (2)	502610	x x x x	HOOK SHAFT BUSHING (FRONT)
			502611	x x x x	HOOK SHAFT BUSHING CAP
			502616	x x x x	NEEDLE BAR YOKE CONNECTING LINK HINGE BEARING WITH 160
			502622	x x x x	ROTARY TAKE-UP GUARD HINGE SCREW SPRING WASHER
			502635-002	x x x x	OIL DELIVERY TUBE
			502641	x x x x	MACHINE BASE AND OIL RESERVOIR STATIC GROUNDING CONTACT
			502642	x x x x	MACHINE BASE AND OIL RESERVOIR STATIC GROUNDING CONTACT WIRE
			502643	x x x x	OIL PUMP BODY

From the library of: Diamond Needle Corp

FOR CLASS 457 G		DESCRIPTION	FOR CLASS 457 G		DESCRIPTION
PART NO.	130 135 155 GX6		PART NO.	130 135 155 GX6	
502644	x x x x	OIL PUMP GEAR	502775	- - x -	NEEDLE VIBRATING ADJUSTING BRACKET
502645	x x x x	PRESSER BAR POSITION GUIDE	502776	- - x -	NEEDLE VIBRATING ADJUSTING BRACKET
502646	x x x x	OIL PUMP SCREW SHAFT			STUD (2)
502647-002	x x x x	OIL RETURN TUBE UPPER SHORT	502776	- - x -	NEEDLE POSITION ADJUSTING ECCENTRIC
502648-002	x x x x	OIL RETURN TUBE LOWER LONG			BUSHING SMALL SLIDE BLOCK STUD
502650-002	x x x x	OIL SIGHT BODY AND WICK 502651	502777	- - x -	NEEDLE VIBRATING ADJUSTING GUIDE CRANK
502651	x x x x	OIL SIGHT WICK	502778	- - x -	NEEDLE VIBRATING ADJUSTING GUIDE
502653	x x x x	PRESSER BAR SPRING			CRANK 502777 WITH 1147
502654	x x x x	PRETENSION BRACKET	502779	- - x -	NEEDLE VIBRATING ADJUSTING CRANK
502655	x x x x	ROTARY TAKE-UP	502780	- - x -	NEEDLE VIBRATING ADJUSTING CRANK
502656	x x x x	ROTARY TAKE-UP GUARD			502779 WITH 51369
502657	x x x x	ROTARY TAKE-UP GUARD COVER	502781	- - x -	NEEDLE POSITION ADJUSTING ECCENTRIC
502658	x x x x	PRETENSION BRACKET CPL. 210955, 210993, 272208, 272209 AND 502699	502782	- - x -	NEEDLE VIBRATING ADJUSTING BRACKET
502659	x x x x	ROTARY TAKE-UP MOUNTING DISC			SLIDE BLOCK
502660-002	x x x x	TENSION RELEASER	502783	- - x -	NEEDLE VIBRATING ADJUSTING GUIDE
502661-002	x x x x	TENSION RELEASER CPL. 1747, 500259 AND 502660-002			CRANK SHAFT
502662	x x x x	TENSION RELEASER SPRING	502784	- - x -	NEEDLE VIBRATING ADJUSTING CRANK
502663	x x - x	TENSION CPL. 1560, 270086, 272218, 272219, 272220, 274225, 502668, 502698 AND TWO 202079	502785	x x x x	NEEDLE BAR YOKE CONNECTING LINK
502665	x x x x	THREAD GUIDE	502786	x x x x	HINGE BEARING STUD
502666	x x x x	THREAD PULL OFF	502788	- - x -	KNEE LIFTER ROCK FRAME
502667	x x x x	THREAD RETAINER			NEEDLE VIBRATING ADJUSTING SHAFT
502668	x x x x	THREAD TAKE-UP SPRING	502789	- - x -	RETAINER
502669	x x x x	THREAD TAKE-UP SPRING REGULATOR	502790	x x - x	NEEDLE BAR YOKE CONNECTING LINK
502670	x x x x	THREAD CLUTTER FOR ROTARY TAKE-UP GUARD	502791	- - x -	CARRIER FRAME STUD
502672	x x x x	NEEDLE BAR YOKE BEARING BACK			NEEDLE POSITION ADJUSTING LEVER
502674	x x x x	NEEDLE BAR YOKE BEARING FRONT	502792	- - x -	NEEDLE POSITION ADJUSTING ECCENTRIC
502675-002	x x x x	FEED DRIVING ROCK SHAFT CRANK CPL. 51388, 502541, 502542, 502544, 502548, 502546, 502710 AND 502711-002	502793	- - x -	SLIDE BLOCK BRACKET
502676	x x x x	HOOK SHAFT PRESSURE BUSHING 502581 WITH 502582	502793	- - x -	NEEDLE VIBRATING CAM ROLLER GUIDE
502677	x x x x	HOOK SHAFT WITH OIL FILTER CPL. 271808, 274236, 502568, 502928 AND 502958	502799	x x x x	COMPENSATING LINK STUD SNAP RING (2)
502679	x x x x	KNEE LIFTER ROCK FRAME HINGE STUD PIN	502800	- - x -	NEEDLE POSITION ADJUSTING ECCENTRIC
502681-002	x x x x	ARM SHAFT WITH 1259, 140170 AND 502725-002			BUSHING SMALL SLIDE BLOCK STUD
502682	x x x x	ARM SHAFT CONNECTION BELT PULLEY CPL. 214206, 500272, 500274 AND 502509	502806	x x x x	SNAP RING
502687-002	x x x -	NEEDLE BAR YOKE WITH OIL BEAT CPL. 502594, 502608 AND 502688-002	502807	- - x -	NEEDLE VIBRATING ADJUSTING BRACKET
502688-002	x x x -	NEEDLE BAR YOKE	502808	- - x -	STUD SNAP RING (2)
502693	x x x -	NEEDLE BAR CONNECTING STUD WITH 500251, 502602 AND 502603	502809	x x x x	MACHINE BASE AND OIL RESERVOIR DRAIN
502694	x x x -	NEEDLE BAR CRANK STUD WITH 270161 AND 502607	502810	- - x -	PLUG SCREW GASKET
502696	x x x x	PRESSER BAR POSITION GUIDE WITH 51369 AND 502645	502801	- - x -	NEEDLE BAR YOKE CONNECTION LINK
502698	x x x x	THREAD TAKE-UP SPRING REGULATOR 502669 WITH 50305	502802	x x x x	CARRIER FRAME DISC SPRING
502699	x x x x	PRETENSION BRACKET WITH 460 AND 502654	502802	- - x -	NEEDLE VIBRATING CAM ROLLER GUIDE
502702	x x x x	OIL PUMP GEAR WITH 502644 AND TWO 500211	502803	- - x -	COMPENSATING LINK STUD
502703	x x x x	BED SHAFT BUSHING FRONT 502703 WITH 502516	502805	- - x -	NEEDLE VIBRATING ADJUSTING LEVER
502704	x x x x	BED CONNECTION BELT PULLEY WITH 502517 AND TWO 500319	502806	x x x x	NEEDLE BAR YOKE CONNECTING LINK
502705	x x x x	OIL PUMP DRIVING GEAR WITH 502506 AND TWO 1036	502811	x x x x	CARRIER FRAME
502710	x x x x	FEED DRIVING ROCK SHAFT CRANK WITH 502559 AND TWO 624	502817	x x x x	NEEDLE BAR YOKE CONNECTING LINK
502711-002	x x x x	FEED BAR 502540-002 WITH PINCH SCREW 50378	502818	x x x x	HINGE BEARING WITH 502616 AND TWO
502712	x x x x	BED SHAFT GEAR WITH 502519 AND TWO 1259	502819	- - x -	502757
502713	x x x x	HOOK DRIVING SHAFT BUSHING WITH 502533 AND 502566	502818	x x x x	HOOK GEAR BOX VENT CAP
502714	x x x x	HOOK DRIVING SHAFT HELICAL GEAR 502567 WITH TWO 1259	502819	- - x -	NEEDLE BAR YOKE CONNECTING LINK
502715	x x x x	HOOK SHAFT BEVEL GEAR 502569 WITH TWO 1259	502820	- - x -	CARRIER FRAME CPL. 502789, 502805, 502850, 502851 AND TWO 624
502716	x x x x	BOBBIN CASE CAP CPL. 200592, 201016, 502528 AND 508530	502820	- - x -	NEEDLE POSITION ADJUSTING ECCENTRIC
502717	x x x x	BOBBIN CASE LATCH LEVER	502822	x x x x	CPL. 502776, 502781, 502793 AND TWO
502720	x x x x	KNEE LIFTER ROCK SHAFT HUB 502591 WITH TWO 500332	502823	x x x x	EACH 500302 AND 502762
502723-002	x x x x	ARM SHAFT CRANK WITH NEEDLE BAR CRANK	502824	x x x x	KNEE LIFTER ROCK FRAME WITH 502679, 502756 AND 502786
502736	- - x -	NEEDLE VIBRATING ADJUSTING BRACKET CPL. 502775, 502776, 502780 AND TWO EACH 502776 AND 502793	502825	x x x x	KNEE LIFTER LIFTING ROD WITH TWO 502830
502751	x x x x	NEEDLE VIBRATING CAM SHAFT BUSHING (BACK) PLUG	502826	x x x x	HOOK DRIVING SHAFT PLUG
502752	x x x x	BED SHAFT BUSHING (CENTER) OIL TUBE PLUG	502826	x x x x	(FOR UN-USED BED HOLE)
502752	x x x x	BED SHAFT PLUG	502826	x x x x	NEEDLE VIBRATING CAM SHAFT BUSHING
502757	x x x x	NEEDLE BAR YOKE CONNECTING LINK HINGE BEARING BUSHING (2)	502829	- x x x	(FRONT)
502758	x x x x	KNEE LIFTER ROCK FRAME HINGE STUD	502830	x x x x	FEED DRIVING ROCK SHAFT BUSHING
502760	x x x x	NEEDLE VIBRATING CAM SHAFT BUSHING (FRONT) PLUG	502830	- x x x	(FRONT)
502762	- - x -	NEEDLE POSITION ADJUSTING ECCENTRIC BUSHING (SMALL) SNAP RING (2)	502831	x x x x	STITCH LENGTH INDICATOR PLATE
502763	x x x x	ARM SHAFT BUSHING (CENTER)	502832	x x x x	KNEE LIFTER LIFTING ROD GRIP RING (2)
502764	x x x x	OIL GUARD	502833	x x x x	FEED DRIVING CONNECTION CARRIER
502770	x x x x	ARM COVER (FRONT) GASKET	502834	x x x x	FRAME SPRING STUD GRIP RING
502772	x x x x	NEEDLE POSITION ADJUSTING CAM REGULATING STUD	502835	- - x -	ARM SHAFT BUSHING (CENTER) SCREW PLUG
			502836	x x x x	FEED REGULATING SHAFT PLUG
			502837	x x x x	(FOR UN-USED HOLE)
			502838	x x x x	ARM COVER (BACK) GASKET
			502839	x x x x	ARM OIL SHIELD (AERATED PLASTIC) RETAINER
			502840	x x x x	NEEDLE VIBRATING ADJUSTING LEVER
			502841	x x x x	OIL GUIDE
					BED SHAFT WITH 502752 AND 502837
					BED SHAFT
					BED SHAFT BUSHING (BACK)
					FEED DRIVING ECCENTRIC WITH 449, 500308 AND 502840
					FEED DRIVING ECCENTRIC
					FEED DRIVING CONNECTION CPL. 502843, 502844, 502847, TWO 502845 AND FOUR 507063
					FEED DRIVING CONNECTION LEVER
					FEED DRIVING CONNECTION LINK
					FEED DRIVING CONNECTION LEVER HINGE PIN (2)
					FEED DRIVING CONNECTION CRANK WITH 1177 AND 502848
					FEED DRIVING CONNECTION
					FEED REGULATING SHAFT INDICATOR STOP SCREW RETAINING SPRING

FOR CLASS 457 G 130 135 155 GX6			FOR CLASS 457 G 130 135 155 GX6		
PART NO.		DESCRIPTION	PART NO.		DESCRIPTION
502850	x x - x	NEEDLE BAR YOKE CONNECTING LINK SLIDE BEARING	502949	- x x x	FEED DRIVING CONNECTING CARRIER FRAME SPRING STUD
502850	x x x x	FEED DRIVING CONNECTION LEVER SLIDE BEARING	502951-850	x - - -	NEEDLE POSITION ADJUSTING CAM SET SCREW
502853	- x x x	FEED DRIVING CONNECTION CARRIER FRAME CPL. 51369, 502850, 502854, 502857, 502858 AND 502949	502952	x x - x	NEEDLE BAR YOKE CONNECTING LINK CARRIER FRAME CPL. 502850, 502857, 502953 AND TWO 624
502854	x x x x	FEED DRIVING CONNECTION CARRIER FRAME	502953	x x - x	NEEDLE BAR YOKE CONNECTING LINK CARRIER FRAME
502857	x x - x	NEEDLE BAR YOKE CONNECTING LINK CARRIER FRAME SLIDE STUD	502955	- x - -	ARM COVER (FRONT) 502989 WITH 502829 AND TWO 140753
502857	x x x x	FEED DRIVING CONNECTION FRAME SLIDE STUD	502956	x x - x	NEEDLE BAR YOKE CONNECTING LINK CPL. 1664, 502785, 502817, 502957, 502959, 502961, 502962, 502963, 502990 AND TWO EACH 502802, 502958, 502960 AND 502964
502858	x x x x	FEED DRIVING CONNECTION LEVER SLIDE STUD OIL WICK	502957	x x - x	NEEDLE BAR YOKE CONNECTING LINK
502859	x x x x	FEED DRIVING CONNECTION CARRIER FRAME BEARING STUD (LEFT)	502958	x x x x	NEEDLE BAR YOKE CONNECTING LINK SNAP RING (2)
502860	x x x x	FEED DRIVING CONNECTION CARRIER FRAME BEARING STUD (RIGHT)	502958	x x x x	HOOK SHAFT SNAP RING
502862	- x x x	FEED REGULATING CONNECTION SHAFT CRANK LINK	502959	x x - x	NEEDLE VIBRATING CAM ROLLER GUIDE
502863	- x x x	FEED REGULATING CONNECTION SHAFT CRANK 502864 WITH 160	502960	x x - x	NEEDLE VIBRATING CAM ROLLER (2)
502864	- x x x	FEED REGULATING CONNECTION SHAFT CRANK	502961	x x x x	NEEDLE VIBRATING CAM ROLLER STUD SPRING WASHER
502866	- x x x	FEED DRIVING CONNECTION CARRIER FRAME SPRING	502962	x x - x	NEEDLE VIBRATING CAM ROLLER STUD
502867	- x x x	FEED DRIVING CONNECTION CARRIER FRAME SPRING STUD	502963	x x - x	NEEDLE VIBRATING CAM ROLLER STUD WASHER
502868	x x x x	FEED REGULATING CONNECTION SHAFT BUSHING	502964	x x x x	NEEDLE VIBRATING CAM ROLLER NEEDLE BEARING CAGE (2)
502869	- x x x	FEED REGULATING CONNECTION SHAFT COLLAR 502873 WITH TWO 51334	502966	x x - x	NEEDLE VIBRATING CAM SHAFT SLIDE BLOCK
502872	- x x x	FEED REGULATING CONNECTION SHAFT COLLAR	502967	x x x x	NEEDLE VIBRATING CAM SHAFT BUSHING (BACK)
502873	- x x x	FEED REGULATING SHAFT INDICATOR LEVER CONNECTING LINK	502968	x x x x	NEEDLE VIBRATING CAM SHAFT
502878	- x x x	FEED REGULATING SHAFT WITH LEVER	502969	x x - -	NEEDLE VIBRATING CAM WITH TWO 500301
502879	x x x x	FEED DRIVING ROCK SHAFT WITH 502560-002 AND 502880	502975	- x x x	FEED REGULATING SHAFT INDICATOR CPL. 129, 502876, 502976 AND 507063
502880	x x x x	FEED DRIVING ROCK SHAFT	502976	- x x x	FEED REGULATING SHAFT INDICATOR LEVER
502881	x x x x	BED SHAFT GEAR BOX COVER	502977	x x - x	NEEDLE POSITION ADJUSTING CAM SLIDE BLOCK BRACKET WITH 502974 AND TWO EACH 500067 AND 500298
502882	x x x x	MACHINE BASE AND OIL RESERVOIR WITH 500329 AND 502799	502979	- x x x	FEED REGULATING SHAFT SPACER
502883	x x x x	MACHINE BASE AND OIL RESERVOIR WITH KNEE LIFTER CPL. 228364, 502587-002, 502583, 502606, 502720, 502882, 502937, 502994, 502996, 508501, 508503, 503000 AND TWO 508502	502980	x - - -	FEED DRIVING CONNECTION CARRIER FRAME COLLAR
502884	x x x x	BED SPACER (FRONT AND REAR SIDE) (2)	502981	x - - -	FEED DRIVING CONNECTION CARRIER FRAME
502885	x x x x	BED SPACER (REAR) (2)	502982-850	x - - -	FEED DRIVING CONNECTION CARRIER FRAME THUMB NUT
502886	x x x x	HOOK SHAFT GEAR BOX OIL PIPE HOLDER	502983	x - - -	FEED DRIVING CONNECTION CARRIER FRAME STUD
502888	x x x x	BED SHAFT BUSHING (CENTER)	502984	x - - -	ARM COVER (FRONT)
502890	x x x x	ARM OIL SHIELD (AERATED PLASTIC)	502985	x - - -	FEED DRIVING CONNECTION CARRIER FRAME CPL. 51369, 502850, 502854, 502857, 502858 AND 502983
502891	x x x x	SINGER LIGHT STUD HOLE SCREW PLUG GASKET	502986	x - - -	FEED REGULATING SHAFT PLUG
502892	x x x x	FEED DRIVING ROCK SHAFT BUSHING (CENTER)	502987	x x x x	FEED REVERSING PLUNGER HOLE PLUG (FOR UN-USED HOLE)
502896	x x x x	NEEDLE BAR YOKE GUIDE (REAR)	502989	- x - -	ARM COVER (FRONT)
502897	x x x x	NEEDLE BAR YOKE GUIDE (FRONT)	502990	x x - x	NEEDLE VIBRATING CAM ROLLER SPRING WASHER
502898	- - x -	NEEDLE VIBRATING ADJUSTING SHAFT CLAMPING BRACKET CPL. 690, 502922 AND 502923	502991	x x x x	ARM PLUG SCREW GASKET RING
502907	x x x x	ARM COVER (BACK) SCREW GASKET RING (6)	502992	x x x x	ARM SHAFT BUSHING (CENTER) SCREW GASKET RING
502907	x x x x	ARM COVER (TOP) SCREW (LONG) GASKET RING (2)	502992	x x x x	KNEE LIFTER ROCK FRAME HINGE STUD LOCK SCREW GASKET RING
502907	x x x x	ARM COVER (TOP) SCREW (SHORT) GASKET RING (2)	502993	x x x x	NEEDLE BAR CPL. 223, 238 AND 502597
502907	x x x x	ARM COVER (FRONT) SCREW GASKET RING (3)	502994	x x x x	KNEE LIFTER ROCK SHAFT SPACER
502907	- - x -	NEEDLE VIBRATING CAM SHAFT BUSHING (BACK) GASKET RING (2)	502996	x x x x	KNEE LIFTER CONTROL SHAFT CPL. 500271, 500785, 502997, 502998 AND 508302
502908	x x x x	BED SHAFT BUSHING (CENTER) OIL TUBE	502997	x x x x	KNEE LIFTER CONTROL SHAFT
502909	x x x x	ARM COVER (TOP) GASKET	502998	x x x x	KNEE LIFTER CONTROL SHAFT CRANK
502914	x x x x	ARM HEAD OIL DRAIN WICK SLINGER CPL. 502915 AND TWO 500302	502998	x x x x	KNEE LIFTER ROCK SHAFT CRANK
502915	x x x x	ARM HEAD OIL DRAIN WICK SLINGER	502999	x x x x	KNEE LIFTER ROCK SHAFT CPL. 502589, 502998 AND 508302
502916	x x x x	ARM HEAD OIL DRAIN WICK	503000	x x x x	KNEE LIFTER CONTROL SHAFT GRIP RING
502917	x x x x	OIL RETURN TUBE	503141	- - x -	NEEDLE VIBRATING CAM ROLLER STUD WASHER
502918	x x x x	ARM HEAD OIL DRAIN WICK CLAMP (UPPER)	503595	x x x -	PRESSER FOOT (HINGED)
502919	x x x x	ARM HEAD OIL DRAIN WICK CLAMP (BACK)	503669	x x x x	WRENCH (5/64 INCH HEXAGON)
502920	x x x x	PRESSER BAR SPRING SCREW STUD GASKET	503673	x x x x	WRENCH (25/64 INCH HEXAGON)
502922	- - x -	NEEDLE VIBRATING ADJUSTING SHAFT CLAMPING BRACKET (UPPER)	503682	x x x -	THROAT PLATE
502923	- - x -	NEEDLE VIBRATING ADJUSTING SHAFT CLAMPING BRACKET (LOWER)	503683	x x - -	FEED DOG
502926	x x x x	ARM SHAFT OIL SLINGER AND PINION SPACER WITH 460 AND 502511-002	503686	- - x -	FEED DOG
502927	x x x x	ARM SHAFT AND NEEDLE BAR CRANK PIN	503697	- - - x	PRESSER FOOT (HINGED)
502928	x x x x	HOOK SHAFT OIL FILTER FELT (WICK)	503698	- - - x	THROAT PLATE
502930	x x x x	NEEDLE BAR YOKE GUIDE SET SCREW (2)	503699	- - - x	FEED DOG
502931	- x x x	FEED DRIVING CONNECTION CARRIER FRAME SPRING RETAINER	507063	x x x x	FEED DRIVING CONNECTION LEVER HINGE PIN RETAINER (4)
502932	- x x x	FEED DRIVING CONNECTION CARRIER FRAME SPRING 502866 WITH 502931	507063	- x x x	FEED REGULATING CONNECTION SHAFT CRANK LINK RETAINER
502935	x x x x	FEED REVERSING FOOT CONTROL LEVER PIN COLLAR	507063	- x x x	FEED REGULATING SHAFT INDICATOR LEVER HINGE STUD RETAINER
502937	x x x x	FEED REVERSING FOOT CONTROL LEVER PIN	507063	- x x x	FEED REGULATOR SHAFT INDICATOR LEVER HINGE STUD RETAINER
502946	x x x x	OIL RETURN TUBE (LOWER) (LONG) CLAMP	507523	x x x x	FEED DRIVING CONNECTION CARRIER FRAME STOP SCREW WASHER (2)
502948	x x x x	PRESSER BAR WITH PRESSER FOOT SCREW 500256	508302	x x x x	KNEE LIFTER ROCK SHAFT CRANK PIN
			508302	x x x x	KNEE LIFTER CONTROL SHAFT CRANK PIN
			508501	x x x x	KNEE LIFTER ROCK SHAFT CONNECTION
			508502	x x x x	KNEE LIFTER ROCK SHAFT CONNECTION GRIP RING (2)

PART NO.	FOR CLASS 457 G				DESCRIPTION	PART NO.	FOR CLASS 457 G				DESCRIPTION
	130	135	155	GX6			130	135	155	GX6	
508503	x	x	x	x	MACHINE BASE AND OIL RESERVOIR GASKET	508570	-	-	x	-	ARM COVER (FRONT) 508571 WITH 502829
508505	x	x	x	x	OIL FILTER WITH OIL FILTER MOUNTING SUPPORT	508571	-	-	x	-	AND TWO 140753
508506	x	x	x	x	BED SLIDE SPRING	508581	-	-	-	x	ARM COVER (FRONT)
508507	x	x	x	x	BED SLIDE CPL. 502822, 508506 AND TWO 238	508582	-	-	-	x	ARM COVER (FRONT) 508582 WITH 502829
508511	x	x	x	x	MACHINE PULLEY WITH 141566, 141567 AND 272142	508583	-	-	-	x	AND TWO 140753
508513	x	x	-	x	PAIR OF NEEDLE VIBRATING WORM GEAR AND NEEDLE VIBRATING WORM WHEEL WITH TWO 500301 AND FOUR 1266	508584	-	-	-	x	ARM COVER (FRONT)
508514	x	x	x	x	OIL DISTRIBUTOR PLATE	508585	-	-	-	x	NEEDLE BAR CONNECTING STUD
508518	x	x	x	x	THREAD CUTTER (ON FACE PLATE)	508586	-	-	-	x	NEEDLE BAR CONNECTING STUD GUIDE BLOCK
508519	-	-	x	-	NEEDLE BAR YOKE CONNECTING LINK	508587	-	-	-	x	NEEDLE BAR CONNECTING LINK WITH 270266
508520	-	-	x	-	PAIR OF NEEDLE VIBRATING WORM GEAR AND NEEDLE VIBRATING WORM WHEEL WITH TWO 500301 AND FOUR 1266	508588	-	-	-	x	NEEDLE BAR CRANK STUD WITH 270161
508523	-	x	x	x	FEED DRIVING CONNECTION CARRIER FRAME STOP (BACK)	508589	-	-	-	x	NEEDLE BAR YOKF WITH 502594, 502608 AND 508588
508524	-	x	x	x	FEED DRIVING CONNECTION CARRIER FRAME STOP (FRONT)	508604	-	-	x	-	NEEDLE BAR YOKE
508527	x	x	x	x	BOBBIN CASE BASE	508604	-	-	x	-	NEEDLE VIBRATING CAM WITH TWO 500301
508530	x	x	x	x	BOBBIN CASE TENSION SPRING	508604	-	-	x	-	FACE PLATE
508535	-	-	-	x	HOOK BODY WITH 502563	508604	-	-	x	-	TENSION CPL. 32574, 147151, 147152, 276225, 502668, 502698, 508654 AND TWO 2102
508537	-	-	-	x	HOOK NEEDLE GUARD AND COUNTERBALANCE	508651	-	-	x	-	NEEDLE POSITION ADJUSTING ECCENTRIC SLIDE BLOCK BRACKET CPL. 502791 AND TWO EACH 500067 AND 500367
508538	-	-	x	-	NEEDLE VIBRATING CAM SHAFT BUSHING (BACK)	508653	-	-	x	-	NEEDLE VIBRATING CAM SHAFT BUSHING (BACK) WASHER
508539	-	-	x	-	NEEDLE VIBRATING CAM ROLLER GUIDE	508654	-	-	x	-	TENSION THUMB NUT CAP
508540	-	-	x	-	NEEDLE VIBRATING CAM ROLLER STUD WASHER	508660	-	-	-	x	HOOK AND BOBBIN CASE CPL. 502531 AND 508661
508541	-	-	x	-	NEEDLE VIBRATING CAM ROLLER STUD	508661	-	-	-	x	HOOK CPL. 141507, 502538, 508535, 508537, TWO 500306 AND THREE 141525
508542	-	-	x	-	NEEDLE VIBRATING CAM ROLLER (2)	508674	x	x	x	x	ARM HEAD OIL DRAIN WICK GUARD
508543	-	-	x	-	NEEDLE VIBRATING CAM ROLLER GUIDE COMPENSATING LINK						
508567	-	-	x	-	NEEDLE VIBRATING CAM WITH TWO 500301						
508568	-	-	x	-	NEEDLE BAR YOKE CONNECTING LINK CPL. 1664, 502801, 502785, 502817, 502961, 503141, 508519, 508539, 508540, 508541, 508543, TWO EACH 502793, 502802, 502958, 502964 AND 508542						